

BLACKHAWK

HALF - TRACK

INSTRUCTION MANUAL

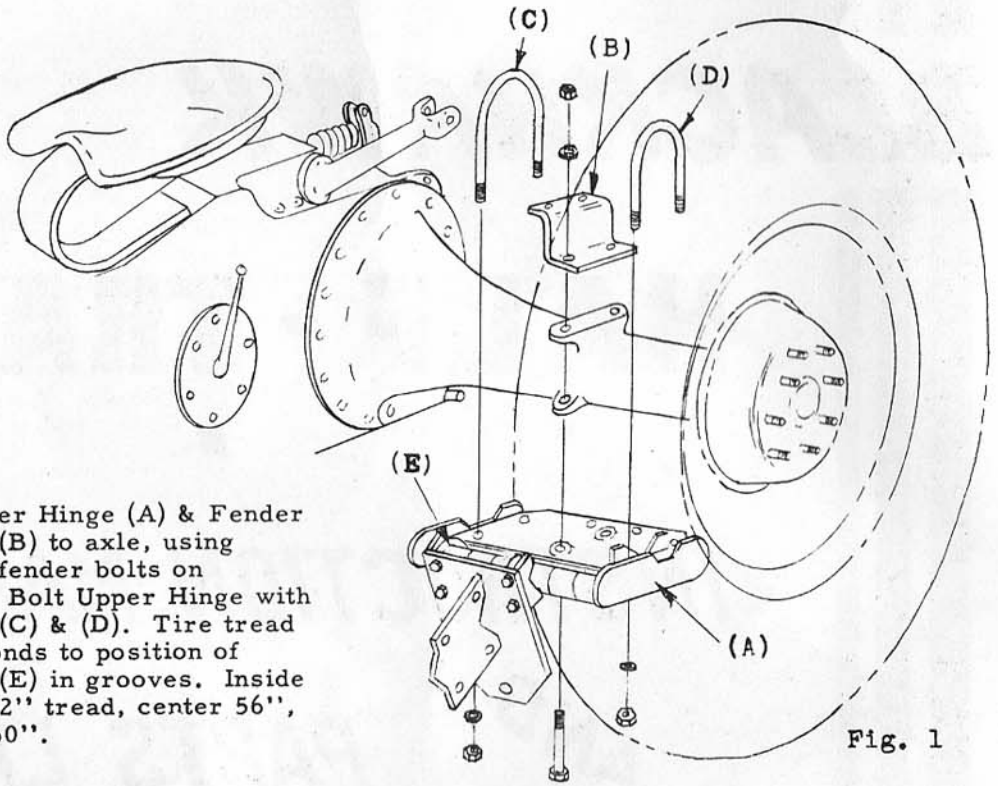
AND

PARTS LIST

470
340
130
470

340
250
40

ARPS CORPORATION
NEW HOLSTEIN, WIS.



1. Bolt Upper Hinge (A) & Fender Bracket (B) to axle, using original fender bolts on tractor. Bolt Upper Hinge with U-Bolts (C) & (D). Tire tread corresponds to position of U-Bolts (E) in grooves. Inside groove 52" tread, center 56", outside 60".

Fig. 1

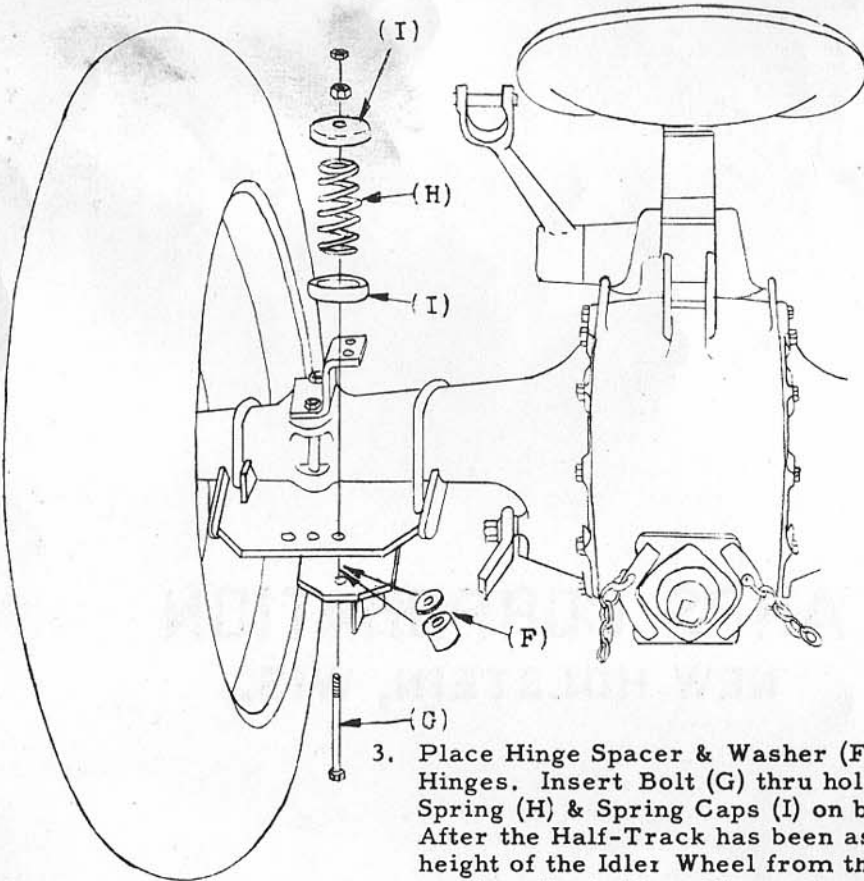


Fig. 2

3. Place Hinge Spacer & Washer (F) between Hinges. Insert Bolt (G) thru holes. Place Spring (H) & Spring Caps (I) on bolt (G). After the Half-Track has been assembled the height of the Idler Wheel from the ground can be adjusted by adding or removing Spacer washers (F).

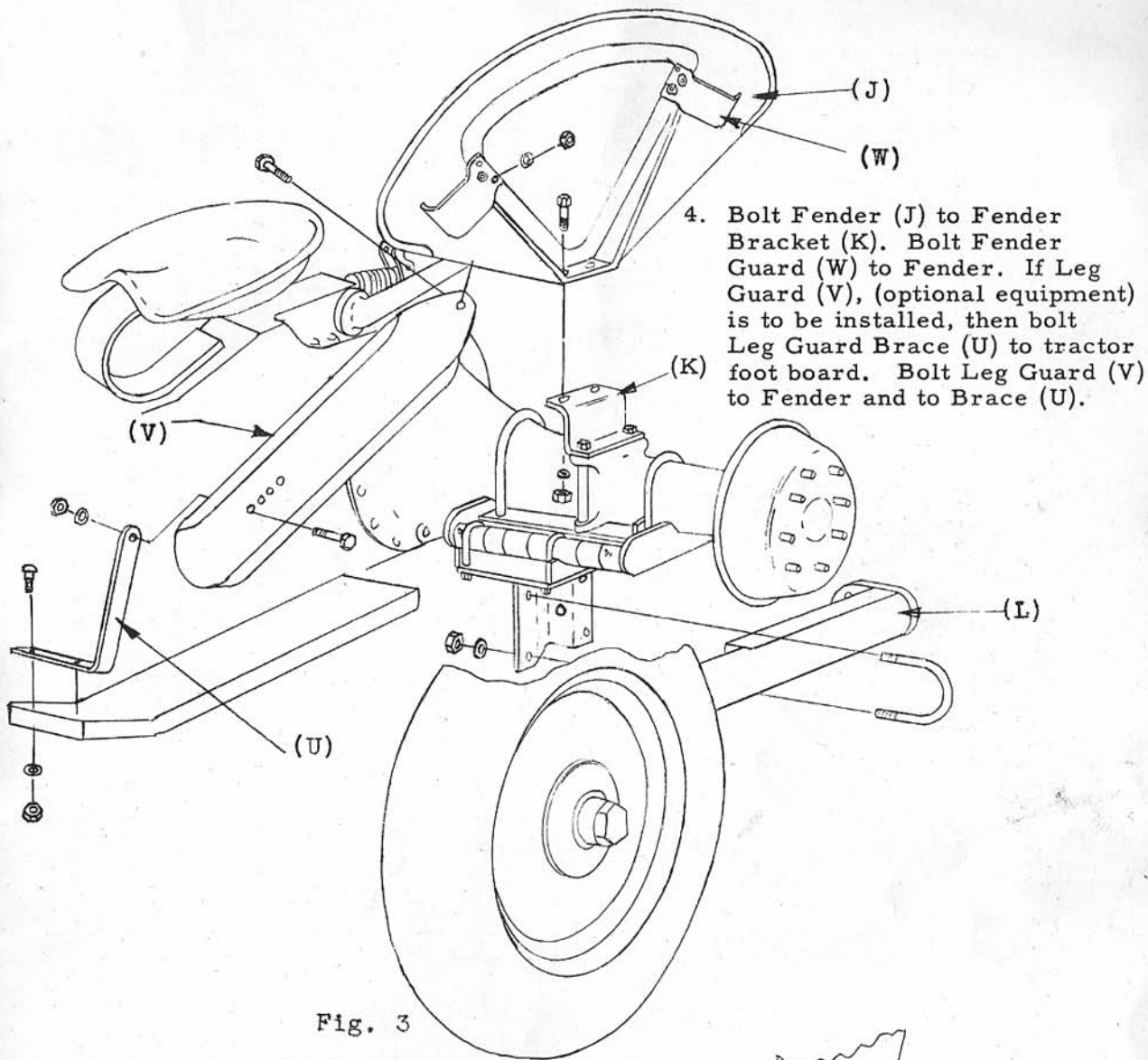
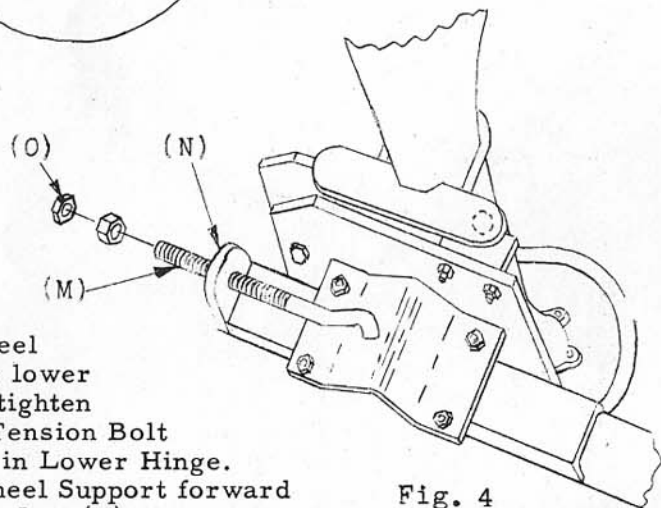


Fig. 3

5. Bolt Idler Wheel Support (L) to lower hinge, do not tighten bolts. Hook Tension Bolt (M) thru hole in Lower Hinge. Slide Idler Wheel Support forward so that hole in Lug (N) goes over Tension Bolt. Put Nuts (O) on Tension Bolt, do not tighten.



SERVICE RECOMMENDATIONS

- Put fluid in rear tires for added traction.
- Inflate rear tires to 35 lbs. pressure.
- Rear tires must be mounted to run in the proper direction.
- The track under the Idler Wheel must be carried off the ground.

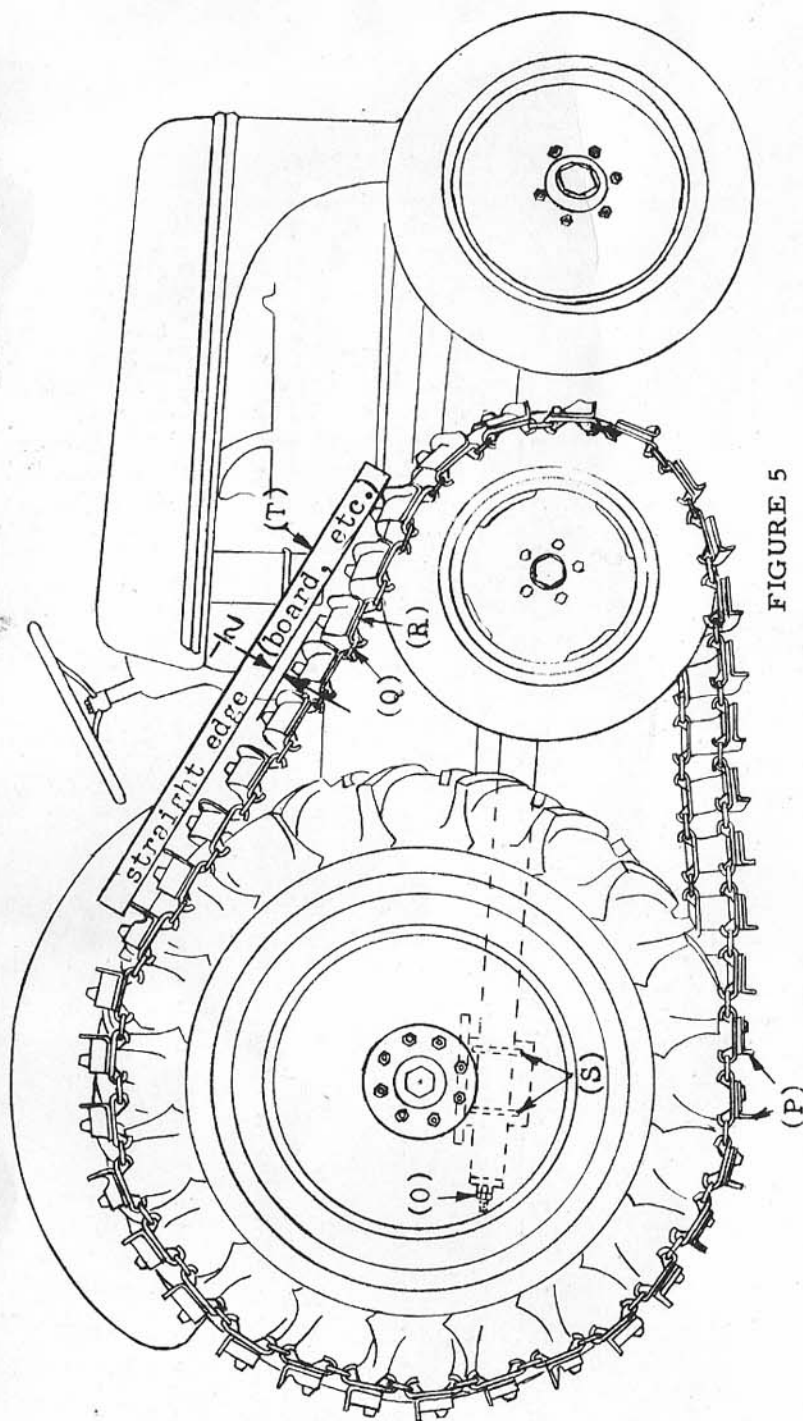


FIGURE 5

IMPORTANT! GROUSER PART OF SHOE "P" MUST BE TO REAR

6. Lay the track out behind the tractor wheels, BEING SURE THAT THE GROUSER INDICATED BY "P" on the shoe is to the rear. ALSO BE SURE THE TRACTOR TIRE IS MOUNTED TO RUN IN THE PROPER DIRECTION. Back the tractor onto the tracks until the Idler Wheel is on the track. Pick the track up at the front of the Idler Wheel and roll the tractor back until the track lies over the Idler Wheel. Then bring the track up over the tractor wheel and hook links "Q" over the link strap "R". Tighten tensioner nuts "O" to take up as much slack as possible, then tighten U-Bolts "S". Be sure the track will not unhook again. Run the track a few revolutions of the tractor wheel to remove all loose places in the track. Loosen the U-Bolts "S" somewhat and tighten the tensioner nut "O" until the track shows 1/2" of sag by placing a straight edge "T" lengthwise with the track as shown. Retighten the U-Bolts. The Idler Wheel should be carried high enough so that the belt shoe is 1-1/2 to 2" off the ground directly under the Idler Wheel at the lowest part of the shoe. Having the track too low can cause the track to run to one side. Refer back to Figure 2 for any adjustment necessary.

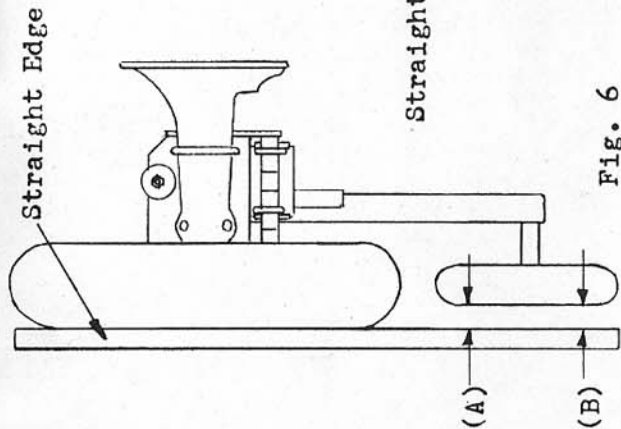


Fig. 6

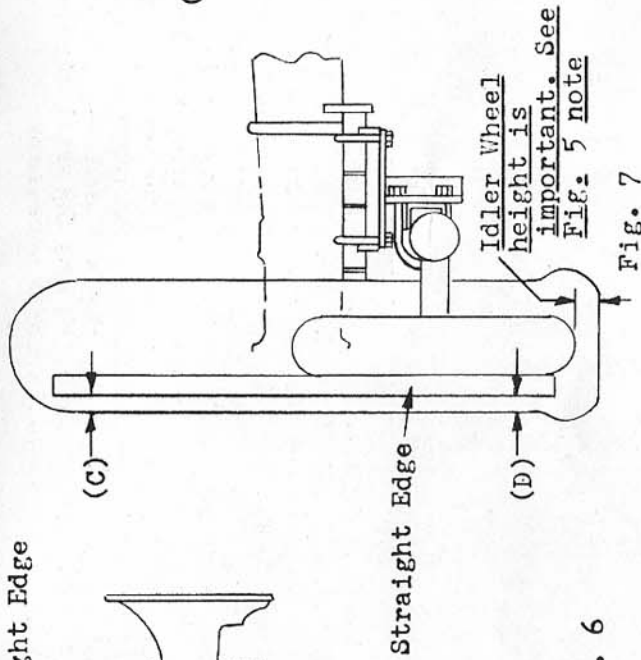


Fig. 7

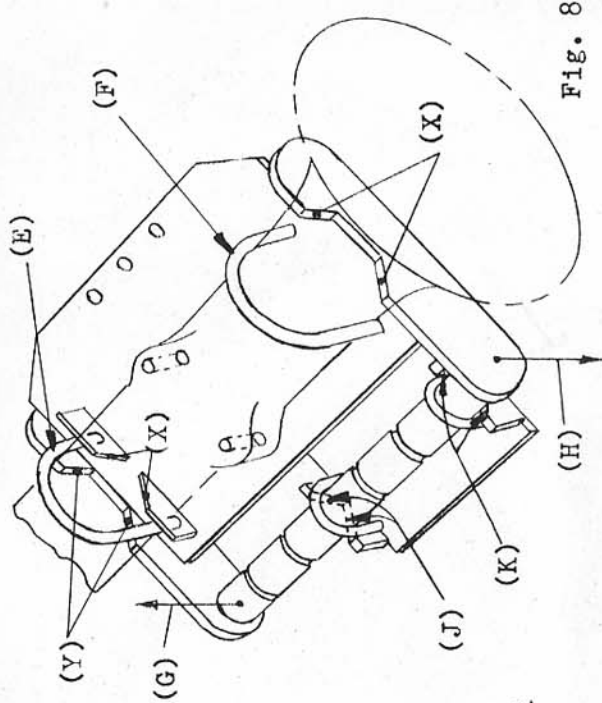


Fig. 8

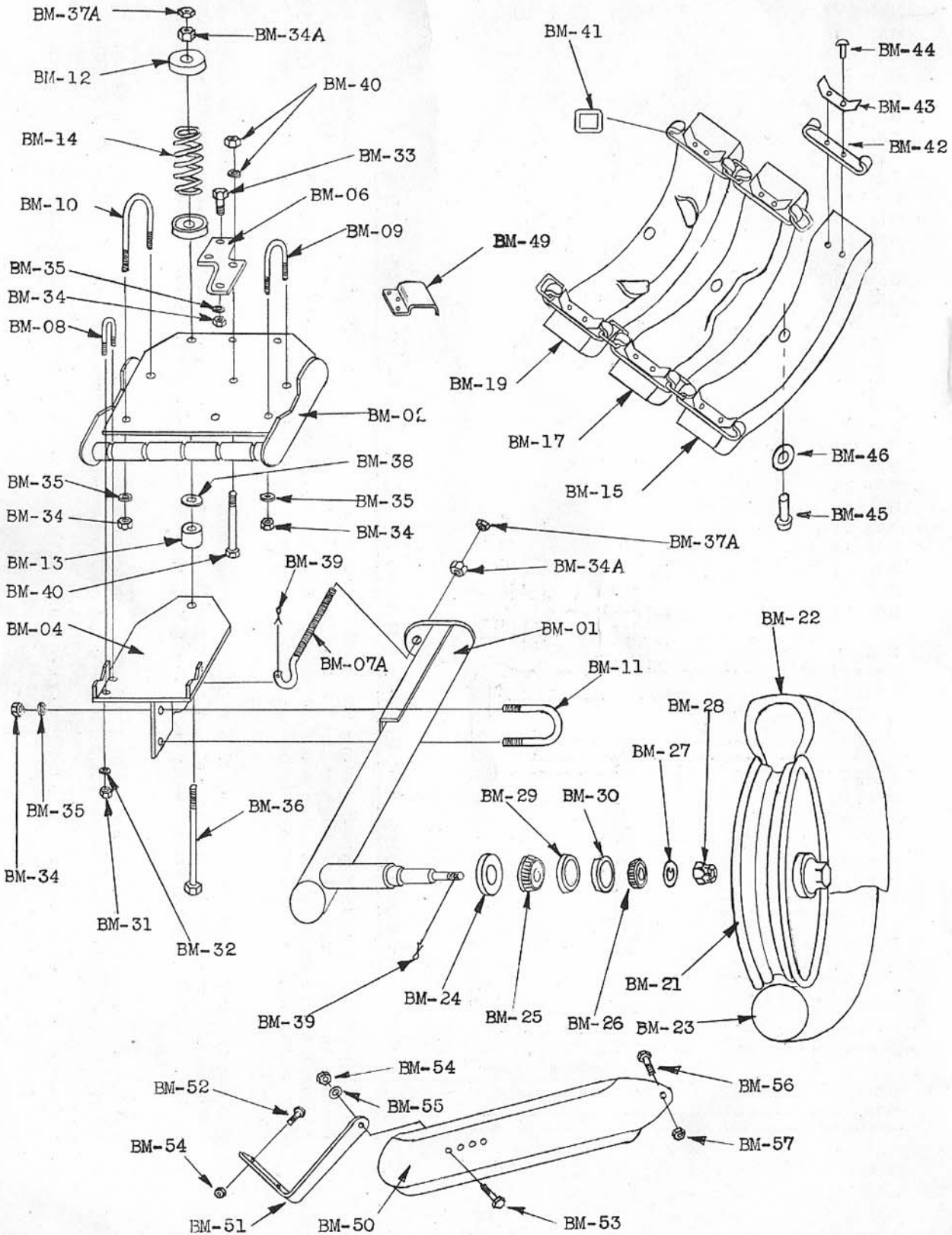
REASONS FOR THE TRACK TO RUN OFF TO ONE SIDE

Misalignment of the idler wheel causes the track to run to one side or entirely off. Over tensioning the track springs the idler unit out of alignment. Tension the track according to Figure 5. If the difficulty persists, Figure 6 shows whether the idler wheel is straight with the drive wheel by measuring at A & B. Figure 7 shows whether the idler wheel is tilted by noticing if C & D appear equal or not. Be sure your Idler Wheel height is correct.

For correction: first check points X & X (Fig. 8) on the hinge unit to see that they bear against the axle casting. Remove any irregularity or blemish with a hammer and cold chisel from the casting so that PROPER BEARING IS PERMITTED. Note there must be NO bearing whatever at points Y. Remove any metal that interferes from the casting.

Tilt as in Figure 7 can be removed by proper tightening of U-Bolts E & F, (Fig. 8). Tighten the forward nut on U-Bolt E and the rear nut on U-Bolt F to move the pivot shaft ends in the direction of arrows G & H. For opposite effect tighten the opposite 2 nuts. Always loosen the remaining 2 nuts the amount the other 2 nuts are tightened. Proper shimming in U-Bolt notches J & K with light sheet metal shims can correct any remaining misalignment found by Figure 6.

REPAIR PARTS



PART NO. QUAN. DESCRIPTION LIST PRICE EACH

CARRIAGE PARTS

BM-01	2	Idler Wheel Support with Spindle	\$27.00
BM-02	1	Upper Hinge Bracket L.H.	19.50
BM-03	1	Upper Hinge Bracket R.H.	19.50
BM-04	1	Lower Hinge Bracket L.H.	9.25
BM-05	1	Lower Hinge Bracket R.H.	9.25
BM-06	2	Fender Elevating Bracket	1.75
BM-07A	2	Belt Tension Adjusting Bolt	.75
BM-08	4	Hinge U-Bolts	.80
BM-09	2	Axle U-Bolts Small	.95
BM-10	2	Axle U-Bolts Large	1.30
BM-11	4	Idler Adjusting U-Bolts	1.30
BM-12	4	Spring Caps	.60
BM-13	2	Hinge Spacer Bushings	.60
BM-14	2	Springs	1.60
BM-21	2	Wheel and Hub Assembly w/Bearing Caps	10.50
BM-22	2	Implement Rib 5:00 x 15 4 Ply Tires	see dealer
BM-23	2	5:00 x 15 Tubes	see dealer
BM-24	2	Oil Seal, Garlock 655 or CR 250111	.90
BM-25	2	Bearing Cone Timken 09067 or Bower	.80
BM-26	2	Bearing Cone Timken 15125 or Bower	1.00
BM-27	2	Bearing Retainer Washer, 3/4" lug type	.10
BM-28	2	Castellated 3/4" N. F. Nut	.15
BM-29	2	Bearing Cup Timken 15250 or Bower	4.75
BM-30	2	Bearing Cup Timken 09196 or Bower	1.90
BM-31	8	Full Nuts 1/2" NF (cadmium plated)	.07
BM-32	8	1/2" Lock Washers	.03
BM-33	4	Machine Bolts 5/8" NF x 1-1/2" (cadmium plated)	.16
BM-34	20	5/8 NF Hex. Full Nuts (cadmium plated)	.10
BM-34A	4	Nuts, 5/8" NC	.10
BM-35	20	5/8" Lock Washers	.04
BM-36A	2	Bolts 5/8" NC x 10 (cadmium plated)	.40
BM-37A	4	Jam Nut 5/8" NC (cadmium plated)	.08
BM-38	2	Plain Washers 5/8"	.05
BM-39	4	Cotter Keys 3/16" x 1-1/4" (cadmium plated)	.04
BM-40	4	Fender Bolts (use Fender Bolts supplied with tractor)	
BM-49	4	Fender Guards	.50

METAL TRACK ASSEMBLY

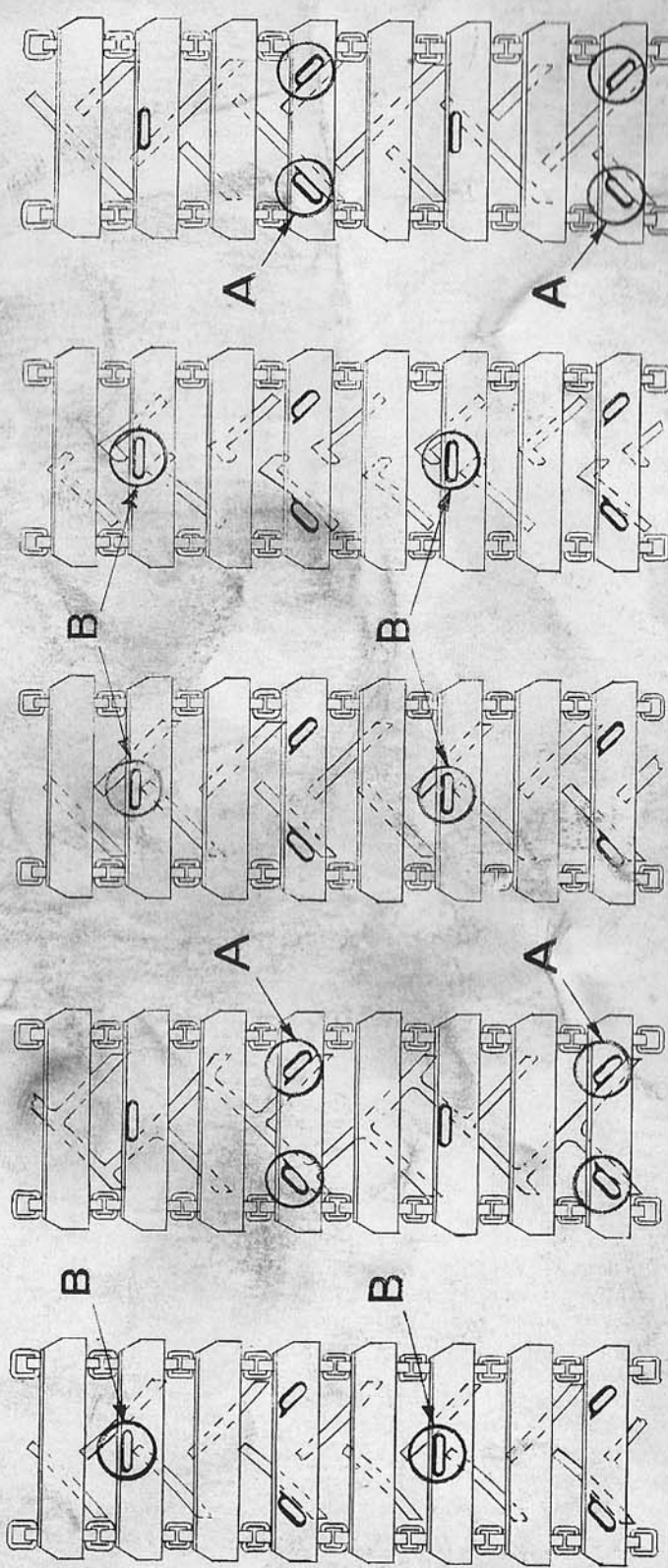
BM-15	36	16" Plain Shoes with Link Straps	1.85
BM-17	18	16" Single Lug Shoes with Link Straps	2.10
BM-19	18	16" Double Lug Shoes with Link Straps	2.10
BM-15-LLS	36	16" Plain Shoes less Link Straps	1.00
BM-17-LLS	18	16" Single Lug Shoes less Link Straps	1.25
BM-19-LLS	18	16" Double Lug Shoes less Link Straps	1.25
BM-16	36	13" Plain Shoes with Link Straps	1.60
BM-18	18	13" Single Lug Shoes with Link Straps	1.85
BM-20	18	13" Double Lug Shoes with Link Straps	1.85
BM-16-LLS	36	13" Plain Shoes less Link Straps	.75
BM-18-LLS	18	13" Single Lug Shoes less Link Straps	1.00
BM-20-LLS	18	13" Double Lug Shoes less Link Straps	1.00
BM-41	144	Square Links	.08
BM-42	144	Link Straps	.30
BM-43	144	Square Link Retainers	.08
BM-44	288	5/16 x 1-1/4" Rd. Hd. Rivets	.005
BM-45	72	1/2 x 3/4" Cone Hd. Rivets	.035
BM-46	72	Washers for BM-45 (special)	.03
BM-47	2	13" Metal Track Assembly	154.50 pr.
BM-48	2	16" Metal Track Assembly	163.50 pr.

ACCESSORY EQUIPMENT (Optional)

BM-50	2	Leg Guards	2.70
BM-51	2	Leg Guard Braces	.95
BM-52	4	Carriage Bolts 5/16" NC x 1-1/4"	.03
BM-53	2	Machine Bolt 5/16" NC x 3/4"	.03
BM-54	6	Full Nut 5/16" NC Hex.	.02
BM-55	2	Lockwasher 5/16"	.01
BM-56	2	Full Nut 3/8" NC Hex.	.02
BM-57	2	Cap Screw 3/8" NC x 1-1/4"	.04

IMPORTANT: When ordering parts, give name of part, the part number, full description and quantity of parts wanted.

HOW TRACK FITS VARIOUS TIRE TREADS



FIRESTONE
CHAMPION GROUND GRIP
NEW TYPE 10-28 4 PLY

FIRESTONE
CHAMPION GROUND GRIP
OLD TYPE 10-28 4 PLY

GOODYEAR
SURE GRIP
10-28 4 PLY

B.F. GOODRICH SILVERTOWN
SUPER HI-CLEAT
10-28 4 PLY

ARPS CORPORATION
NEW HOLSTEIN, WISCONSIN

LUGS "A" GRIP CLOSED TREAD TIRES
LUGS "B" GRIP OPEN TREAD TIRES